



---

## User Manual for LOCSTAR Lift Controller



**Applicable model: LS-DT301/311/503/513/-K01/-K02/-K12/-K13**

**Shenzhen Locstar Technology Co., Ltd.**

- Please read the manual when installation
- Keep the manual properly for future reference.

## Table of Contents

I. System Overview .....	3
II. System Composition.....	3-4
III. Technical Parameters.....	4
IV. Wiring Instruction for System Installation.....	5
V. Lift Control Card-reader Setting.....	6
VI. Explanation of Card Authority.....	6
VII. Working Procedure.....	6

## I. System Overview

The lift/elevator system security is an important part for a hotel. With Locstar system, all lift-card holders shall be subject to prior authorization from the system administrator. When using the lift, different person will be allocated with different authority, to enter into floors.

Customers need to swipe their card through lift reader, and the lift will take the customers to the assigned floor, if the customers are allowed to enter more than 1 floors, then press the specified floor button.

## II. System Composition

The system is composed of the lock software, lift controller, encoder, lift card reader and cards.

1. Lock software is used for issuing cards. (And lift controller function should be selected via the system setting).
2. Lift controller is the key component of the lift control system. Each lift controller can be used to manage a 8 or 16 floors lift, maximum 64 floors lift.
3. Temic/Mifare encoder function: used for issuing cards with different authorities.
4. Lift card reader function: read card information.

## III. Technical Parameters

### 1. LS-DT301/311 lift card reader( For Temic lock system)

Use T5557 card to read information .Which produced by ATMEL .

Fit Locstar Temic Door Lock System.

Reading distance: less than 10CM.

Data storage: long-term .

Frequency of repetition: long-term.

Information capacity: 264bit.

Password figure: 32bit

Voltage for reader: 12V

Working temperature: -10℃~55℃

Antistatic: >15000V



**LS-DT301/311**

### **LS-DT503/513 lift card reader (For Mifare lock system)**

Use Mifare S50 card to read information. Which produced by PHILIPS. Fit Locstar Mifare Door lock System or above is employed.

Reading distance: less than 5CM

Voltage for reader: 12V

Working temperature: -10℃~55℃

Antistatic: >15000V



LS-DT503/513

### **2. LS-DTK01 lift controller**

Working voltage: 24V

Working temperature: -10℃~55℃

Antistatic: >15000V

Floors to be controlled: 1-16 floors



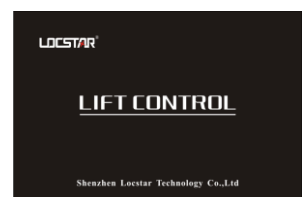
### **LS-DTK02 lift controller**

Working voltage: 24V

Working temperature: -10℃~55℃

Antistatic: >15000V

Floors to be controlled: 1-16 floors



### **LS-DTK12 lift controller**

Working voltage: 24V

Working temperature: -10℃~55℃

Antistatic: >15000V

Floors to be controlled: Floor 1-8



### **LS-DTK13 lift controller**

Working voltage: 24V

Working temperature: -10℃~55℃

Antistatic: >15000V

Floors to be controlled: Floor 2-9



## IV. Wiring diagram instruction

### 1. Installation

To facilitate wiring, the lift controller should be positioned near to the lift control cabinet at the top of lift. Lift control reader, which is mounted on the car, Lift reader power supply is powered by the lift controller.



### 2. Wire requirement:

Lift card reader and lift controller: RVVP128 (4\*0.5);

Lift button and lift controller: RVV (2\*0.5) (button on the first floor);

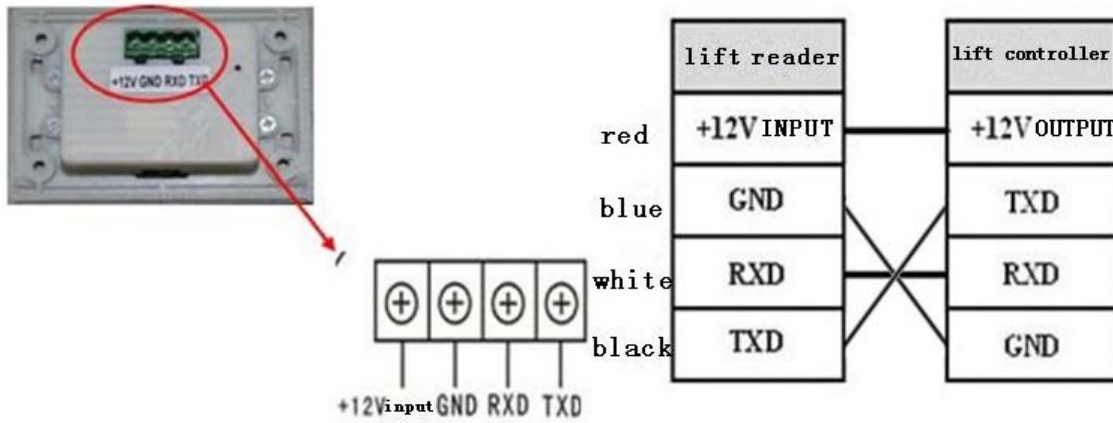
24V power for lift controller: RVV (2\*0.5)

12V power for lift reader: RVV (2\*0.5)

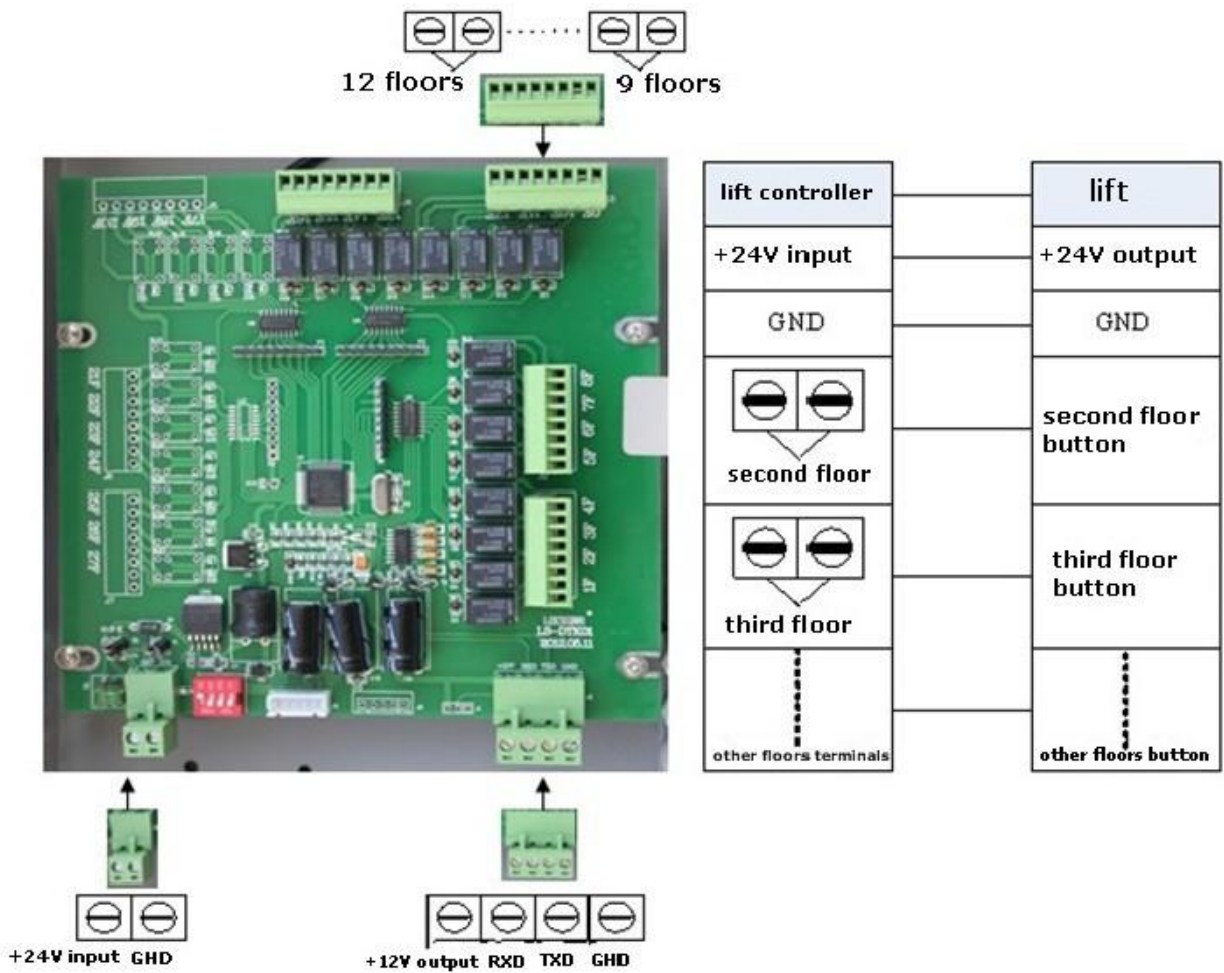
3. After converting 110-240V to 24V/12V, allow the power supply connected to the main board of lift controller.

4. Wiring diagram for lift controller and lift: Connect the wires of lift floor buttons to the corresponding binding posts on the main board .(The floor number on floor button should be consistent with that on the lift controller).

5. Wiring diagram for lift card reader and lift controller: Connect lift controller to lift Reader according to the Wiring Diagram, the card reader will be constantly illuminated after power-on.



wiring diagram of lift reader and controller



**Wiring Diagram of Lift Controller and lift**

Remark:for the above lift control and lift wiring diagram,each PCB controls 4 floors.

## V. Lift Reader Setting

### 1. How to setup Lift Reader

#### **Temic system:**

Step 1: Touch the existed authorization card to reader, blue indicator light will flash one time;

Step 2: Touch room setup card to lift reader, the blue indicator light will flash one time;

#### **Mifare system:**

Step 1: Touch the existed authorization card to reader, blue indicator light will flash one time;

Step 2: Touch room setup card to lift reader, the blue indicator light will flash one time;

Step 3: Touch clock card to the reader, the blue indicator light will flash one time.

### 2. How to Clear Lift Reader (2 options)

A. Directly touch the Cancel Authorization Card, after one short sound and flash of blue light, the authorization is cleared;

B. Forced clearing: open the outer cover of lift card-reader, press the reset switch within 10 seconds and touch Authorization card to the reader. After a long sound, authorization is cleared.

## VI. Explanation of Card Authority

### 1. Scope of lift to be controlled with building control mode :

#### **(Card can open for all floors)**

Master card, building card, cleaning card, emergency card, foreman card (MF system only), floor card, guest card: available for all floors.

### 2. Scope of lift to be controlled with floor control mode :

#### **(Card can open for assigned floors)**

1) Master card, building card, cleaning card, emergency card, foreman card (MF system only), floor card: available for all floors.

2) Guest card: the floor to which the card corresponds.

## VII. Working Procedure

### 1. Working procedure for building control mode:

- 1) After entering the lift, swipe guest card then press the proper button of floor. For example, a guest holds a guest card, after swiping card, can press any floor buttons for enter into;

Remark: After the guest swipes the card, the lift controller will activate all building Output relays, and then short circuit signal is output to the lift controller.

If guest doesn't press any button within 5s, the relay will automatically disconnect 5s later.

### 2. Working procedure for floor control mode:

- 1) After entering the lift, swipe the card then press the proper button of floor. For example, a guest holds a 7<sup>th</sup> floor guest card, after swiping card in the lift, need to press 7<sup>th</sup> floor button.

Remark: After the guest swipes the card, the lift controller will activate the output relay that corresponds to the 7<sup>th</sup> floor, and then short circuit signal is output to the lift controller. After receiving the signal, lift controller activates the 7<sup>th</sup> floor button (other floor buttons are under resting state); If guest doesn't press button within 5s, the relay will automatically disconnect 5s later.